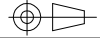


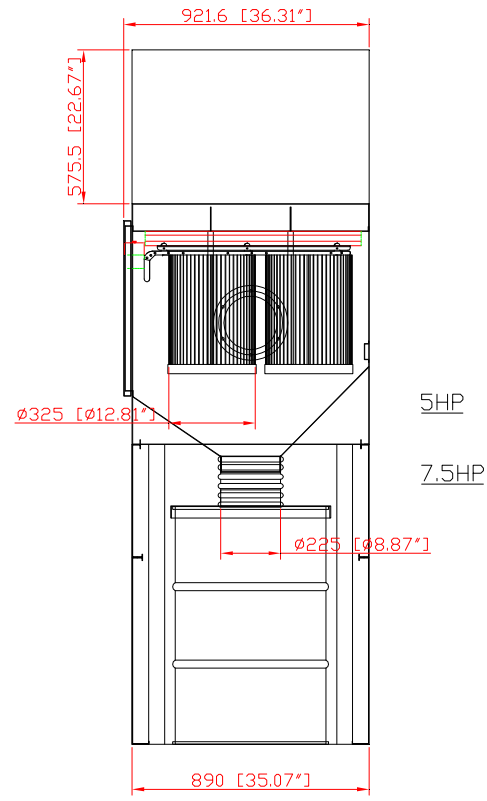
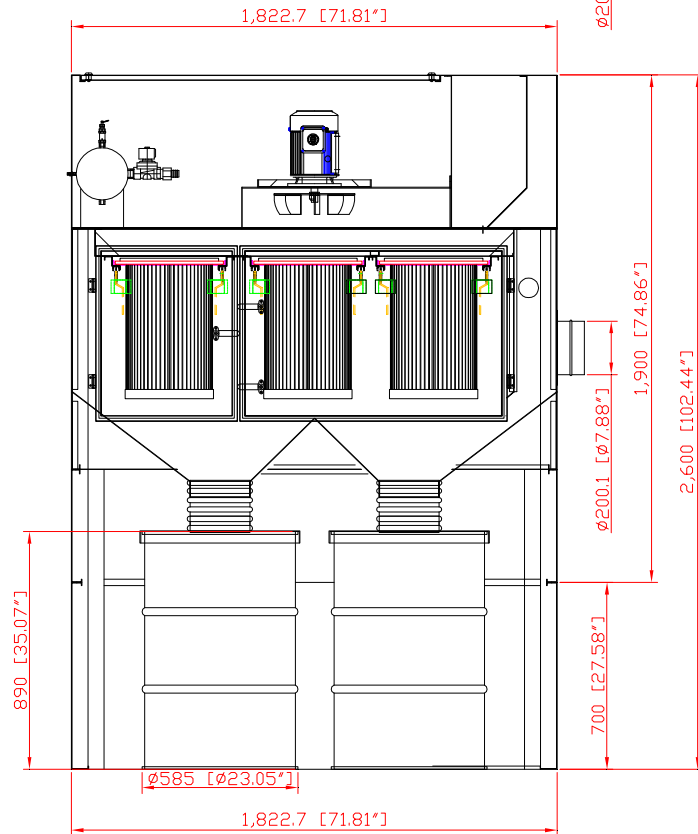
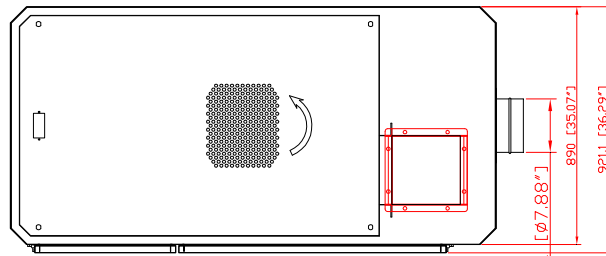
DO NOT SCALE

IF IN DOUBT ASK



Revisions

Rev	Description	Date	Approved
-----	-------------	------	----------



OSKAR AIR PRODUCTS, INC.
 95 Cypress Drive
 Youngsville, NC 27596

Sales Department
 (919) 570-2862
 info@okardustcollectors.com

Drawn by:	Date	Name
Checked by:	XX-XX-XX	XXXXX

Part Number: SDC-5D (7.5HP) Title: Type 1 Dust Collector (Drum)

Size Scale Drawing Number:
 1 = 1 FE-2100J-A56-01