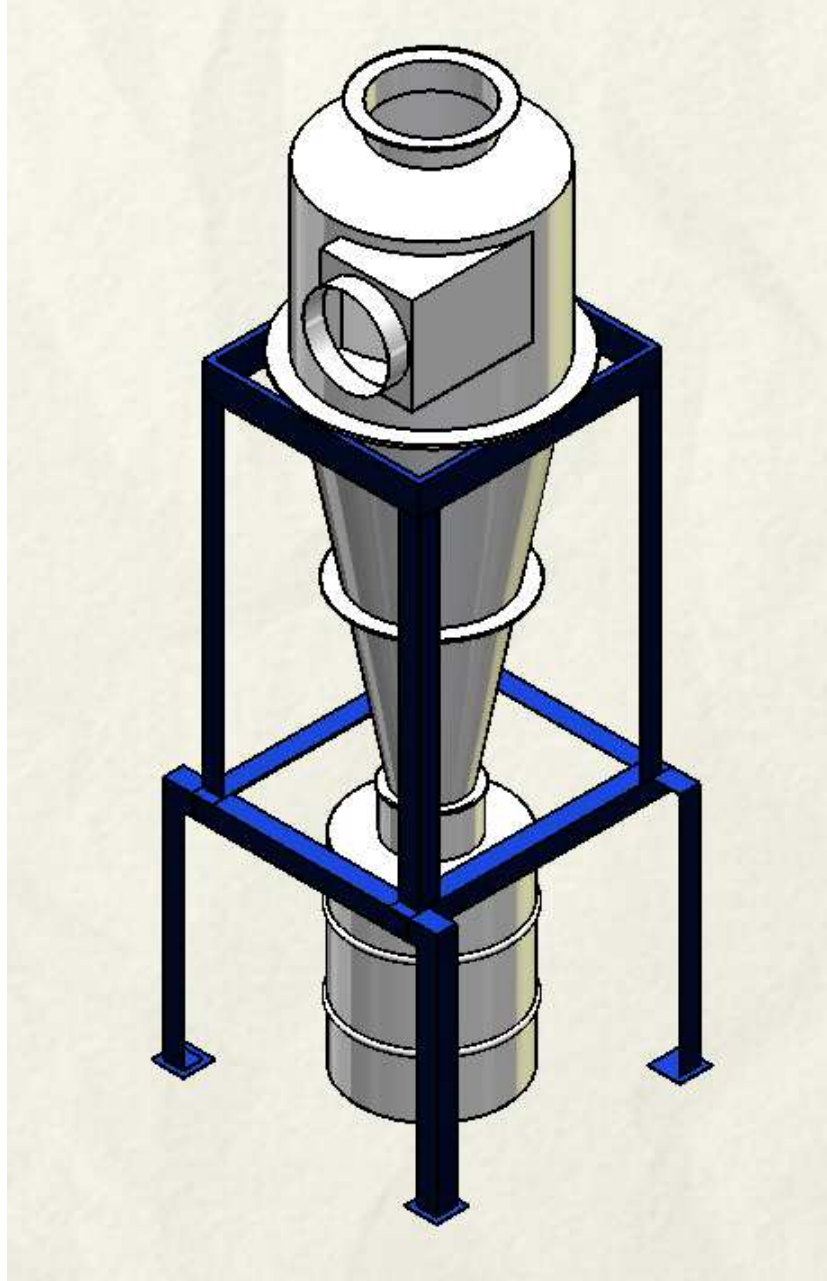


OSKAR Cyclone

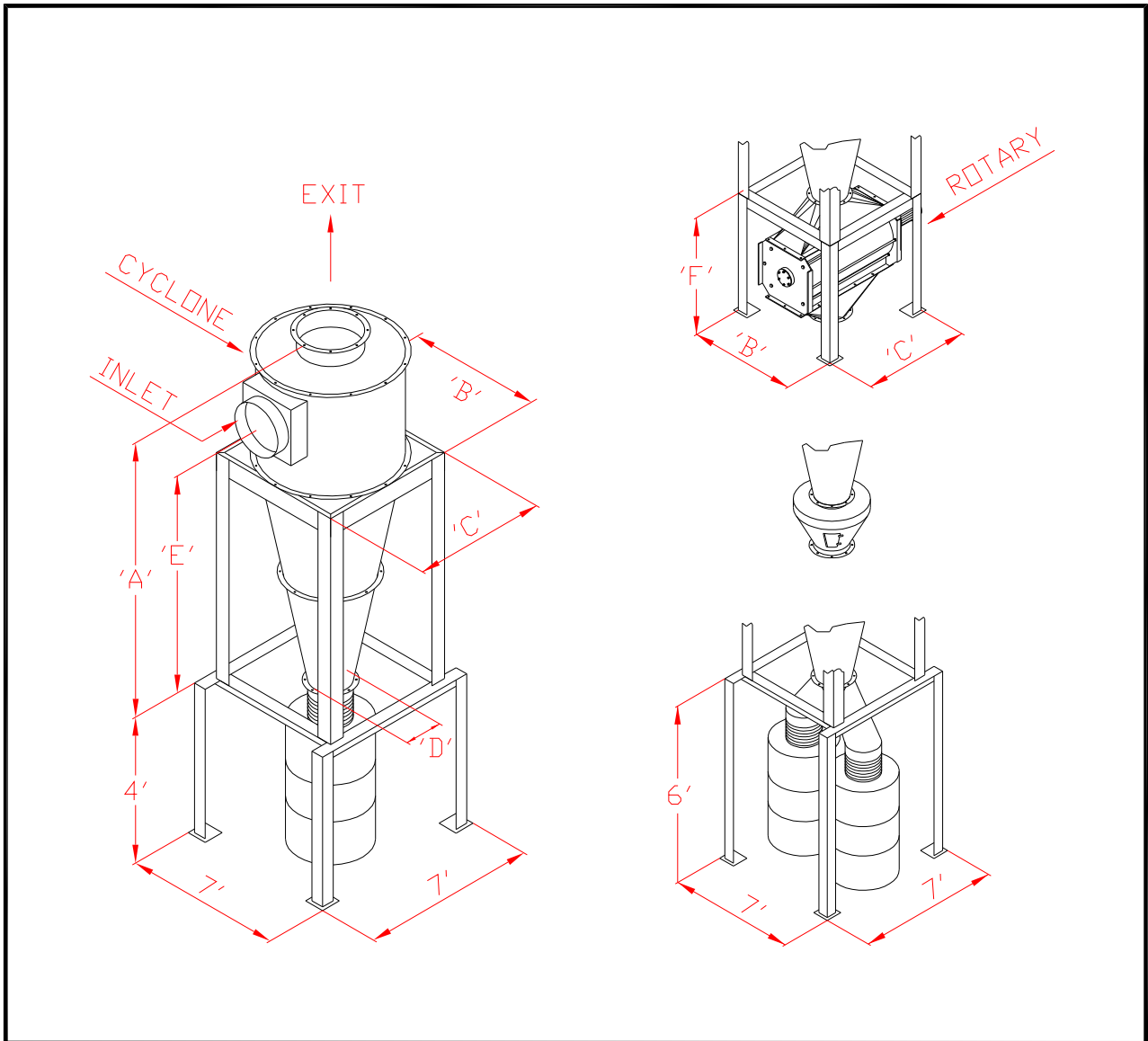


Please read and save these instructions. Read carefully before attempting to assemble, install, operate or maintain the product described. Protect yourself and others by observing all safety information. Failure to comply with instructions could result in personal injury and/or property damage! Retain instructions for future reference.



SMT-090729

OSKAR Cyclone



Please read and save these instructions. Read carefully before attempting to assemble, install, operate or maintain the product described. Protect yourself and others by observing all safety information. Failure to comply with instructions could result in personal injury and/or property damage! Retain instructions for future reference.



SMT-090729

OSKAR Fan with After Filter

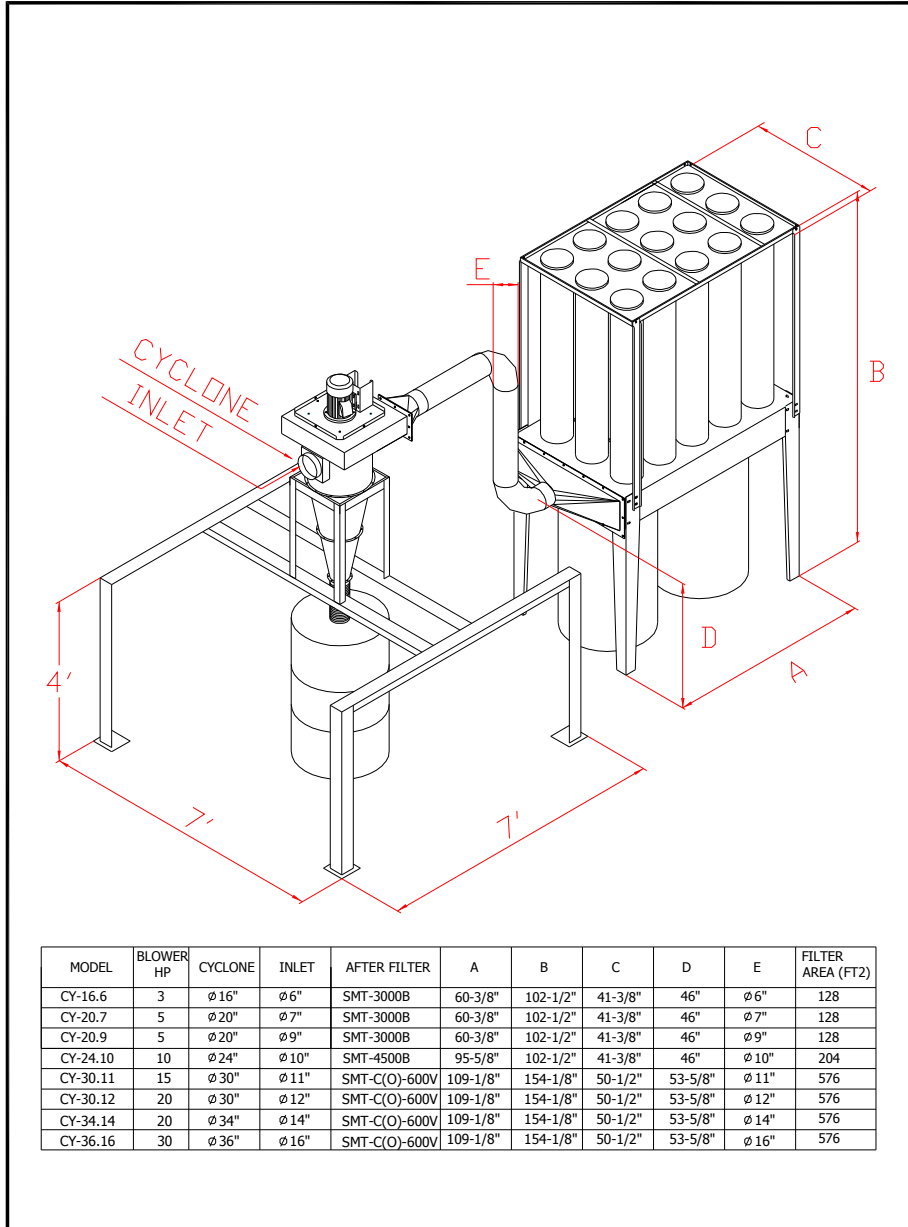
MODEL	CYCLONE	INLET	EXIT	ROTARY	C.F.M. RATINGS (Approx. External S.P.)		
CY-16.6	∅ 16"	∅ 6"	∅ 6"	1/4HP	850 at 5"	770 at 6"	610 at 8"
CY-20.7	∅ 20"	∅ 7"	∅ 7"	1/4HP	1,275 at 5"	1,180 at 6"	980 at 8"
CY-20.9	∅ 20"	∅ 9"	∅ 9"	1/4HP	1,830 at 5"	1,740 at 6"	1,500 at 8"
CY-24.10	∅ 24"	∅ 10"	∅ 10"	1/4HP	2,600 at 5"	2,380 at 6"	2,000 at 9"
CY-30.11	∅ 30"	∅ 11"	∅ 11"	1/2HP	3,520 at 5"	3,200 at 7"	2,880 at 9"
CY-30.12	∅ 30"	∅ 12"	∅ 12"	1/2HP	4,400 at 5"	4,000 at 7"	3,600 at 9"
CY-34.14	∅ 34"	∅ 14"	∅ 14"	1/2HP	5,800 at 5"	5,440 at 7"	4,880 at 9"
CY-36.16	∅ 36"	∅ 16"	∅ 16"	1HP	7,200 at 5"	6,800 at 7"	6,100 at 9"
CY-40.17	∅ 40"	∅ 17"	∅ 17"	1HP	8,050 at 5"	7,500 at 7"	6,600 at 9"
CY-44.18	∅ 44"	∅ 18"	∅ 18"	1HP	8,900 at 5"	8,200 at 7"	7,100 at 9"
CY-48.19	∅ 48"	∅ 19"	∅ 19"	2HP	9,790 at 5"	9,020 at 7"	7,810 at 9"
CY-60.20	∅ 60"	∅ 20"	∅ 20"	2HP	11,500 at 5"	10,400 at 7"	9,700 at 9"
CY-72.22	∅ 72"	∅ 22"	∅ 22"	3HP	15,000 at 5"	13,500 at 7"	12,100 at 9"

MODEL	'A'	'B'	'C'	'D'	'E'	'F'
CY-16.6	47"	19"	19"	∅ 6"	38-1/4"	24-1/2"
CY-20.7	57"	23"	23"	∅ 7"	46-1/4"	24-1/2"
CY-20.9	57"	23"	23"	∅ 7"	46-1/4"	24-1/2"
CY-24.10	68"	27"	27"	∅ 8"	54-3/4"	24-1/2"
CY-30.11	84"	33"	33"	∅ 9"	69-3/8"	26-1/2"
CY-30.12	84"	33"	33"	∅ 10"	69-3/8"	26-1/2"
CY-34.14	94"	36"	36"	∅ 11"	77-3/8"	26-1/2"
CY-36.16	99"	38"	38"	∅ 12"	81-3/8"	34-1/2"
CY-40.17	112"	42"	42"	∅ 13"	92-3/4"	34-1/2"
CY-44.18	112"	46"	46"	∅ 14"	99-1/2"	34-1/2"
CY-48.19	130"	50"	50"	∅ 16"	105-5/8"	39-1/2"
CY-60.20	162"	62"	62"	∅ 19"	138"	39-1/2"
CY-72.22	193"	74"	74"	∅ 23"	166-1/4"	46-1/2"

Optional accessory upon customers' request: rotary, expansion chamber, Y-connector, lower stands



OSKAR Fan with After Filter



OSKAR Fan with After Filter

